



400V/500Vdc, 5x20mm, Fast Acting, Ceramic Tube Fuses

HV530 Series



## Description

Fast Acting, high breaking capacity

5x20mm physical size

Ceramic tube, Silver plated copper cap construction

Designed to UL248-1

Lead Free and Halogen free material



Electrical Characteristics			
Rated Current	1.0In	2.0In	4.0In
200mA – 600mA	4 hour min.	—	120 sec max.
1A – 20A	4 hour min.	120 sec max.	—

## Specifications

Part No.	Rated Voltage		Rated Current	Breaking Capacity (A)		Typical Cold Resistance (mOhms)	Typical Voltage Drop (mV)	Typical Pre-Arcing I <sup>2</sup> t (A <sup>2</sup> Sec)
	DC			400V	500V			
	HV530.0.2	400V		500V	200mA			
HV530.0.4	400mA		663		278	0.172		
HV530.0.5	500mA		382		190	0.287		
HV530.0.6	600mA		360		234	0.396		
HV530.1	1A		230		280	0.28		
HV530.1.6	1.6A		148		310	2.56		
HV530.2	2A		100		248	1.68		
HV530.2.5	2.5A		90		360	1.48		
HV530.3.15	3.15A		49		215	4.91		
HV530.4	4A		38		220	8		
HV530.5	5A		29		200	16		
HV530.6	6A		24		150	30		
HV530.6.3	6.3A		19		162	48		
HV530.8	8A		14		149	64		
HV530.10	10A		12		166	90		
HV530.12	—		—		12A	9.5	160	130
HV530.15		15A		7.3	165	225		
HV530.20		20A		5	150	520		

\* DC Cold Resistance are measured at <10% of rated current in ambient temperature of 25°C

\* Typical Pre-arcing I<sup>2</sup>t are measured at 10In Current



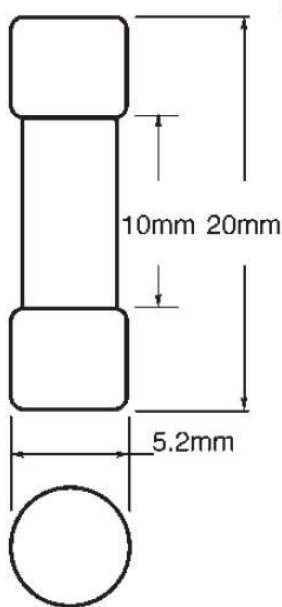
400V/500Vdc, 5x20mm, Fast Acting, Ceramic Tube Fuses

HV530 Series

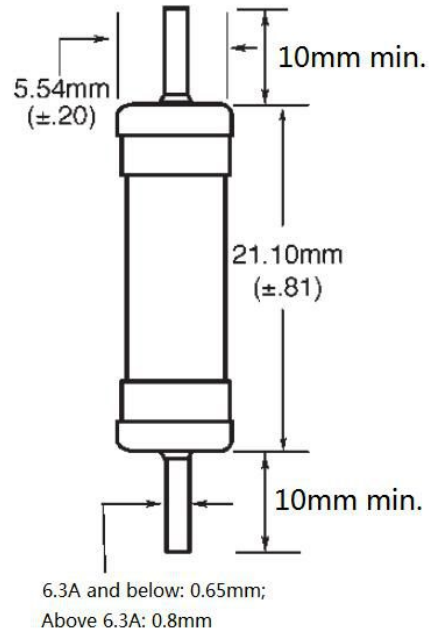


**Dimension**

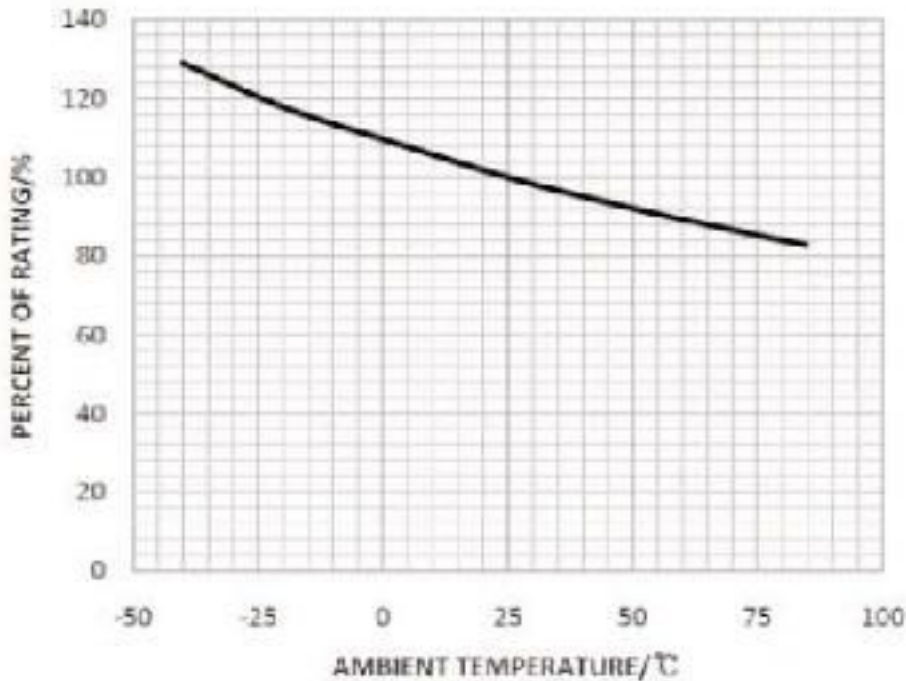
HV530.xxx



HV530.xxxP



**Temperature Derating Curve**



**Package**

cylindrical :(1A-3A) 40 pcs in one carton; other ratings is 500 pcs in one bag. Leaded :100 pcs in one carton.

